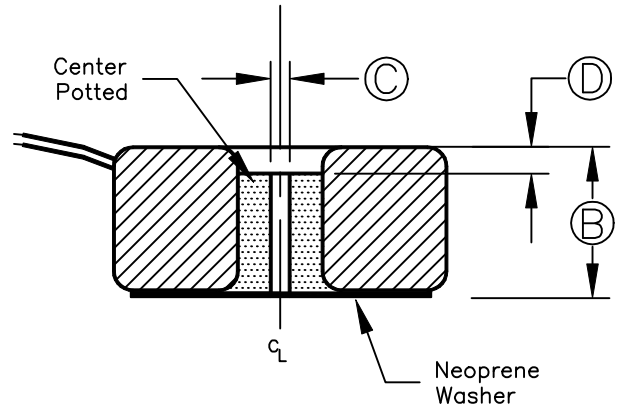
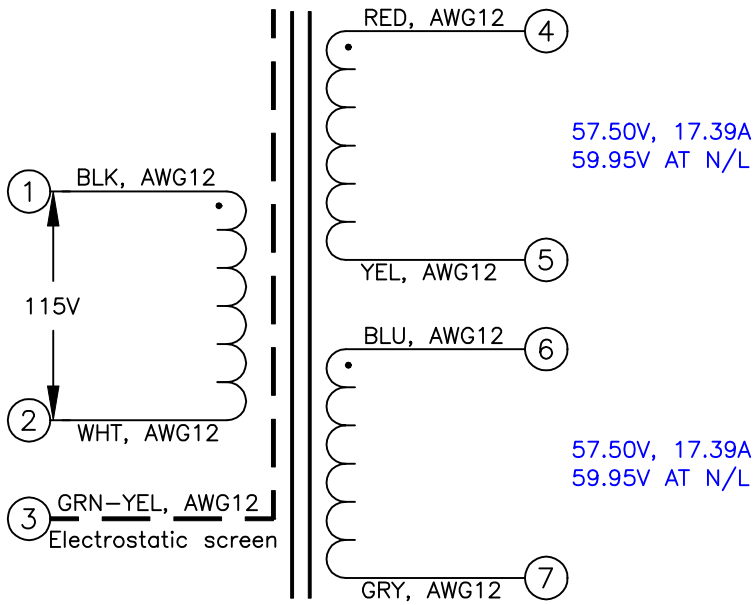
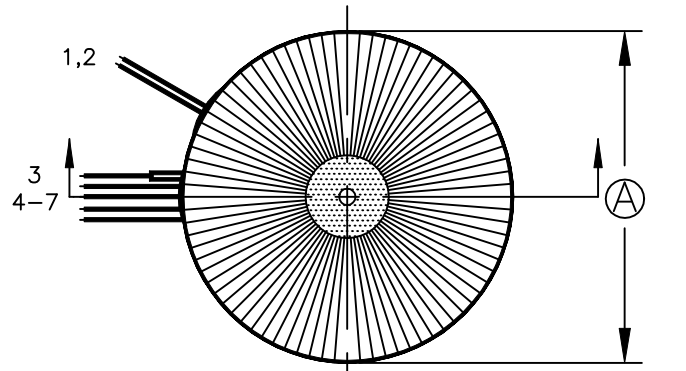


(PART NO: N/A)

POWER:	VA	2000
TEMPERATURE RISE:	°C	*45
EFFICIENCY:	%	*97
WEIGHT:	kg	*12.6
FREQUENCY:	Hz	60



REF	DIMENSIONS			
	Unit:	(nom)	(max)	TOLERANCE
A	mm	*211		
B	mm	* 80		
C	inch	1/2		
D	mm	15		±3

LEADS	LENGTH ±10mm	TERMINATION
1-7	350	STRIP 6mm +3/-0mm

**LABEL INFO:**

PLITRON MANUFACTURING INC.  
 8575-X0-02 DATE CODE F:60  
 INPUT: 115VAC BLK/WHT



- NOTES:**
- UL recognised to UL506, UL1411, CSA 22.2 No.66-1988 Class A(105°C) Insulation System.
  - All stranded leads are TEW/UL1015 type wire.
  - Leads breakout with no specific sequence.

\* Calculated value

V=VAC rms A=l rms

C/T= Center Tap

N/L= No load



This document is the property of Plitron Manufacturing Inc. It is not to be copied or transmitted or used as the basis for manufacturing of apparatus without written permission.  
 Copyright Plitron Manufacturing Inc.

**TOROIDAL POWER TRANSFORMER**

DESIGN BY: E.TAM  
 DRAWN BY: S.M.  
 CHECKED BY:  
 APPROVED BY:

DATE: 05/21/2003  
 DATE: 05/28/2003  
 DATE:  
 DATE:

DWG NO. **8575-X0-02**

SCALE N/A SHEET 1 OF 1