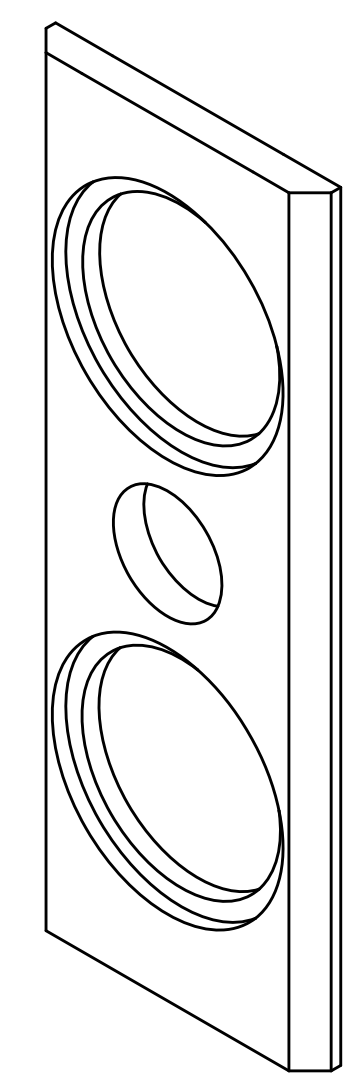
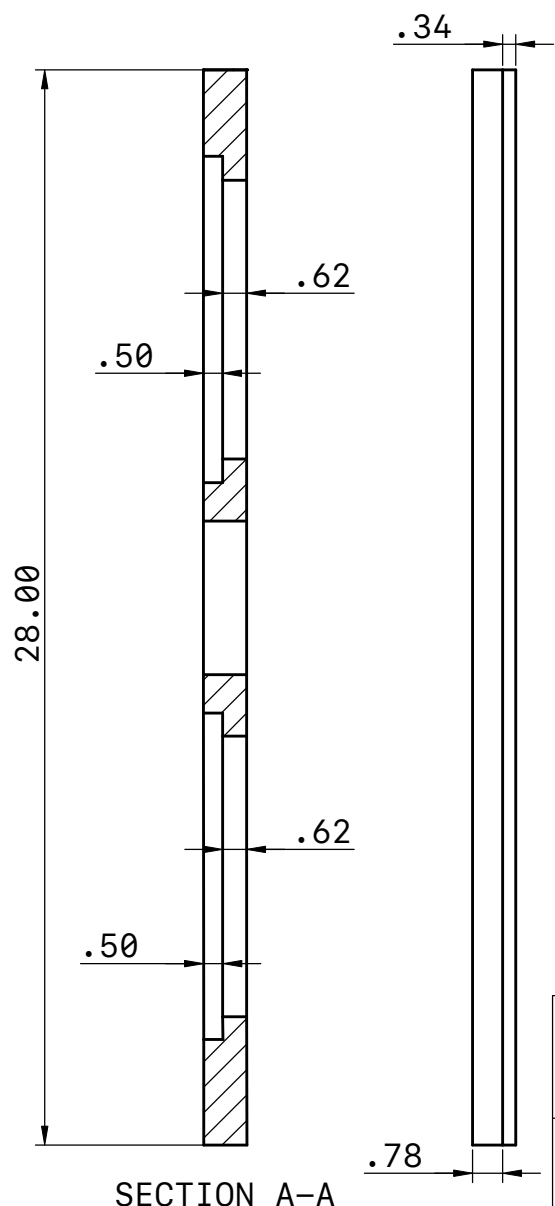
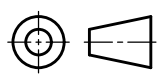


Inner rebate for driver recessed ~ 0.5" from front panel surface.



|   |                     |                       |
|---|---------------------|-----------------------|
| TITLE<br><b>Natalie P FP</b>  |                     |                       |
| LAST UPDATED<br><b>04/03/23</b>   | UNITS<br><b>in</b>  | SHEET<br><b>1 / 1</b> |
| THIRD ANGLE PROJECTION<br> | SCALE<br><b>1:5</b> | SIZE<br><b>B</b>      |