

6 5 4 3 2 1

D

C

B

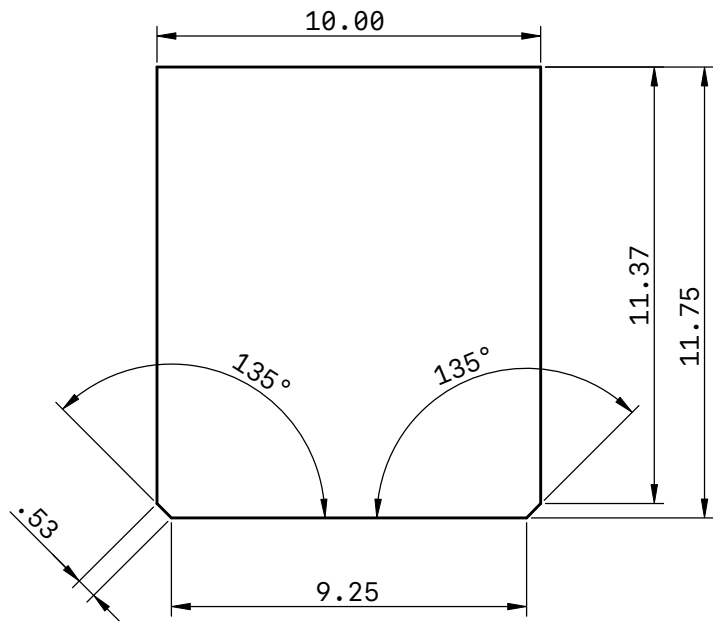
A

D

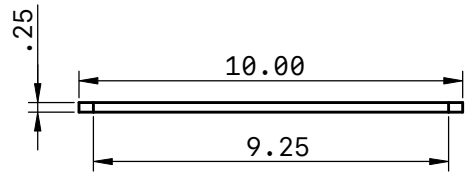
C

B

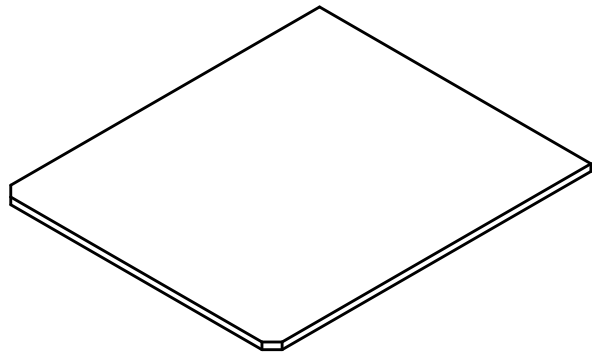
A



Top View



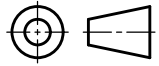
Front View



Side View



Recommended material acetyl copolymer plastic or phenolic

TITLE Natalie P Base		
LAST UPDATED 03/30/23	UNITS in	SHEET 1 / 1
THIRD ANGLE PROJECTION 	SCALE 1:5	SIZE A

6 5 4 3 2 1