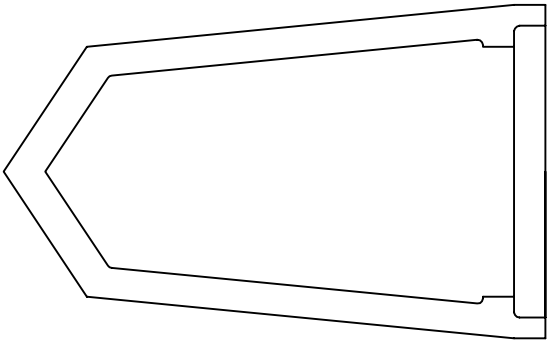


Part1: Brace
Piece



Part2: Walls
w/Baffle in
Place