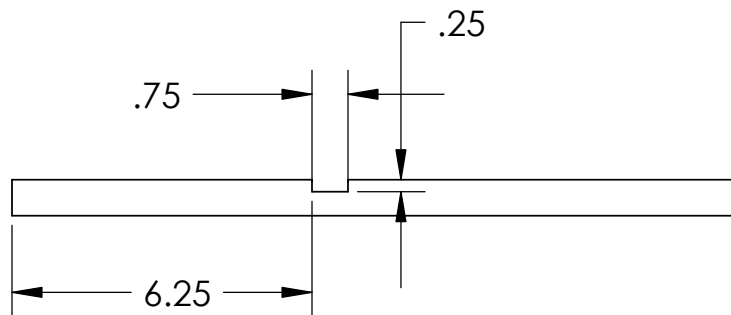
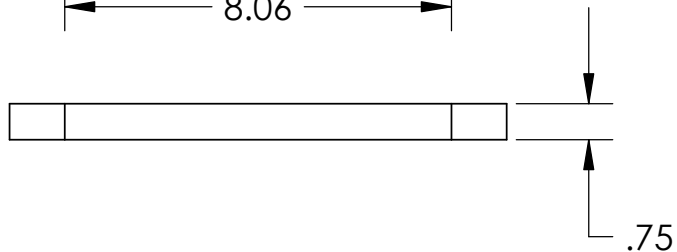
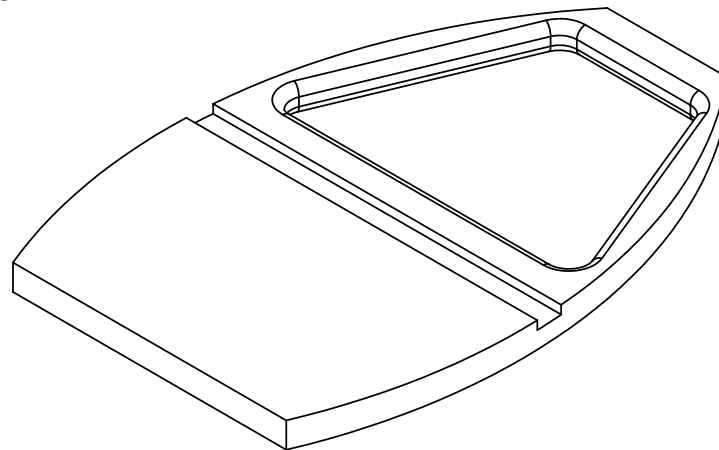


R14.93



PROPRIETARY AND CONFIDENTIAL
 THE INFORMATION CONTAINED IN THIS DRAWING IS THE SOLE PROPERTY OF D&S DESIGNS. ANY REPRODUCTION IN PART OR AS A WHOLE WITHOUT THE WRITTEN PERMISSION OF D&S DESIGNS IS PROHIBITED.

		UNLESS OTHERWISE SPECIFIED:		NAME	DATE
		DIMENSIONS ARE IN INCHES	DRAWN	DJD	2/15/08
		TOLERANCES:	CHECKED	DJD	2/15/08
		FRACTIONAL $\pm 1/32$	ENG APPR.		
		ANGULAR: MACH $\pm .01$ BEND $\pm .1$	MFG APPR.		
		TWO PLACE DECIMAL $\pm .010$	Q.A.		
		THREE PLACE DECIMAL $\pm .005$	COMMENTS:		
		INTERPRET GEOMETRIC TOLERANCING PER:			
		MATERIAL			
		ABS			
		FINISH			
		None			
NEXT ASSY	USED ON	APPLICATION			
		Break All Sharp Edges			

D&S Designs		
TITLE: Doug's Mid Brace		
SIZE A	DWG. NO. DS-0001-202	REV A
SCALE: 1:4	WEIGHT:	SHEET 1 OF 1

5

4

3

2

1