

6

5

4

3

2

1

D

D

C

C

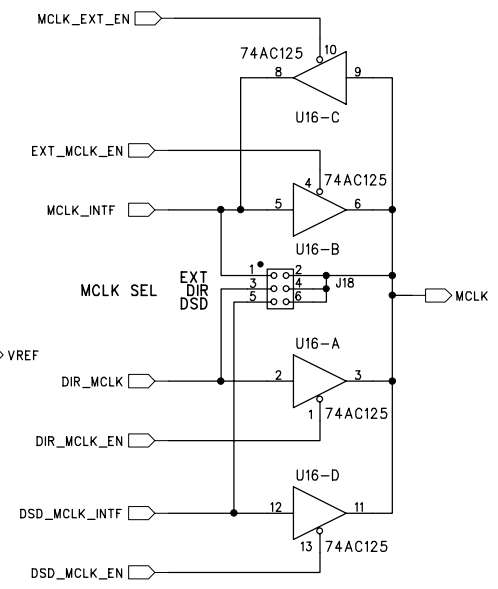
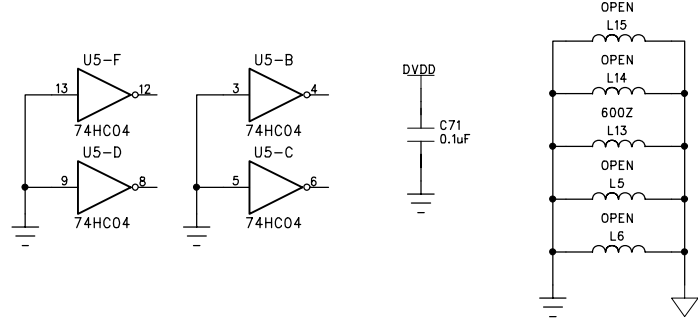
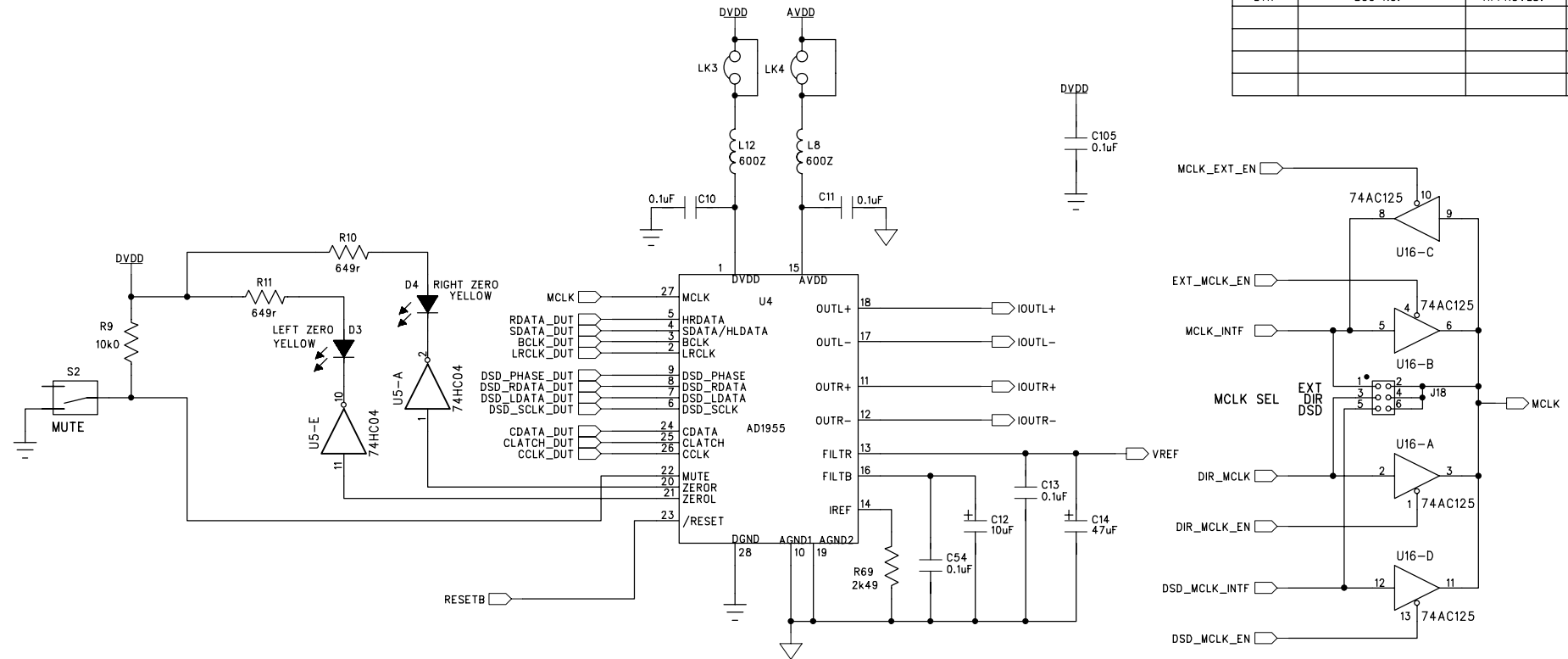
B

B

A

A

REVISION RECORD			
LTR	ECO NO:	APPROVED:	DATE:



COMPANY:			
Analog Devices, Digital Audio Group			
TITLE:			
AD1955 Evaluation Board AD1955			
CODE:	SIZE:	DRAWING NO:	REV:
		EVAL-AD1955EB	B
SCALE:			SHEET: 5 OF 9

DRAWN:	DATED:
David McGaw	May 24, 2002
CHECKED:	DATED:
QUALITY CONTROL:	DATED:
RELEASED:	DATED: